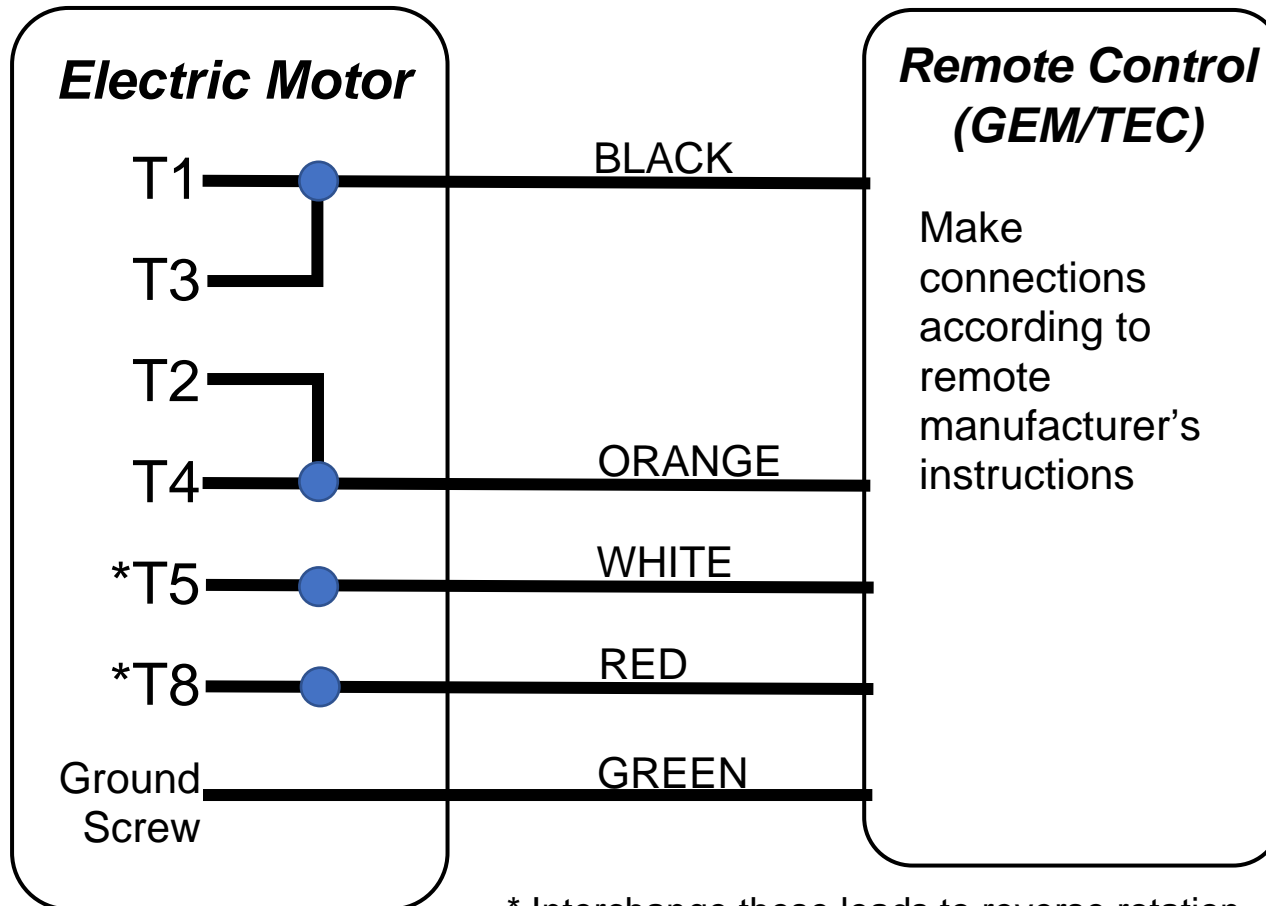


WIRING SCHEMATIC

Motor Type: YELLOW T-WIRES

Control Type: REMOTE CONTROL (GEM/TEC)

Power Supply: 115V AC



* Interchange these leads to reverse rotation